

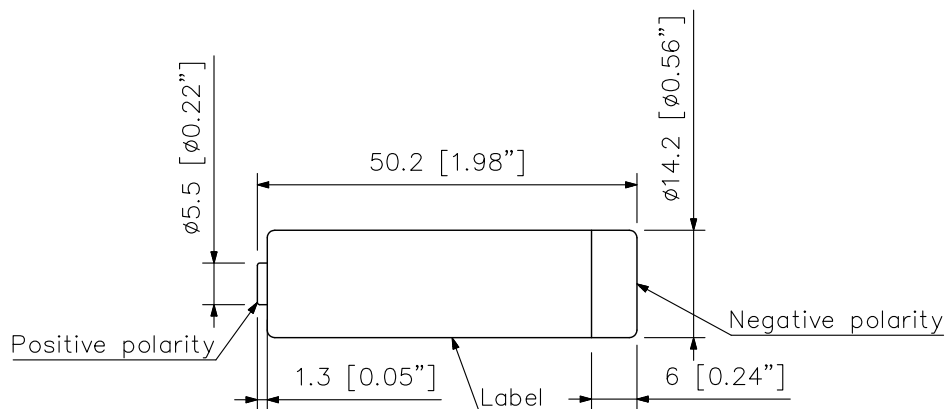
■DESCRIPTION

The IR-200BT-2 (containing 2 pieces) is an AA nickel metal hydride (Ni-MH) rechargeable battery pack designed for exclusive use with the IR-200M and IR-300M infrared wireless microphones.

■SPECIFICATIONS

Nominal Voltage	1.2 V DC
Nominal Capacity	Min. 2300 mAh
Operating Temperature	0 °C to +40 °C (32 °F to 104 °F)
Operating Humidity	30 % to 85 % RH
Dimensions	ø14.2 × 50.2 mm (ø0.56" × 1.98")
Weight	30 g (1.06 oz) (per piece)

■APPEARANCE



Notes

1. When using the IR-200BT-2 for the first time, be sure to charge it.
2. Insert the IR-200BT-2 into the IR-200M or IR-300M Infrared Wireless Microphone, then charge it using the dedicated IR-200BC Battery Charger.

UNIT:mm SCALE:1/1